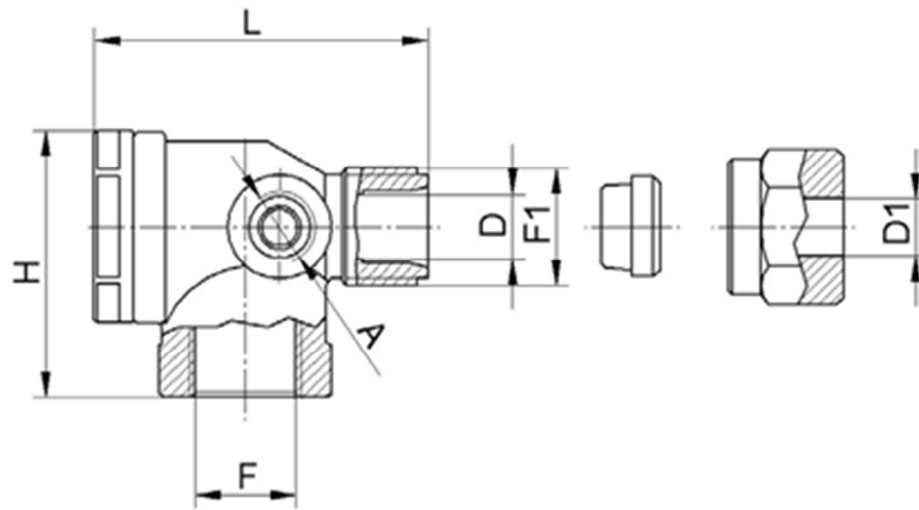


DATENBLATT / TECHNICAL DATA SHEET RV2

Eck-Rückschlagventil / Non-Return Valve angle type

Erstellt / made : 27.07.2018

Seite 1



| Code | F | F1 | A | D | D1 | H | L |
|------|------|------|------|----|----|----|----|
| | 3/8" | 3/8" | 1/8" | 9 | 10 | 38 | 49 |
| | 3/8" | 3/8" | 1/8" | 9 | 12 | 38 | 49 |
| | 1/2" | 3/8" | 1/8" | 9 | 10 | 40 | 50 |
| | 1/2" | 3/8" | 1/8" | 9 | 12 | 40 | 50 |
| | 1/2" | 1/2" | 1/8" | 11 | 14 | 43 | 53 |
| | 3/4" | 3/4" | 1/8" | 16 | 18 | 58 | 70 |

| Werkstoff / Material | |
|---------------------------|---------------------|
| Ventilkörper / Valve body | EN 12164:98 CW 614N |
| Dichtung / Gasket | NBR o VITON |
| Verschluss / Cap | EN 12164:98 CW 614N |
| O-Ring / O-ring | NBR o VITON |
| Feder / Spring | EN 10270-3 |

| Technische Daten / Technical data | |
|--|-----------------|
| Arbeitsdruck / Working pressure | Max. 16 bar |
| Temperatur / Working temperature NBR | -10° C + 80° C |
| Temperatur / Working temperature VITON | -10° C + 200° C |