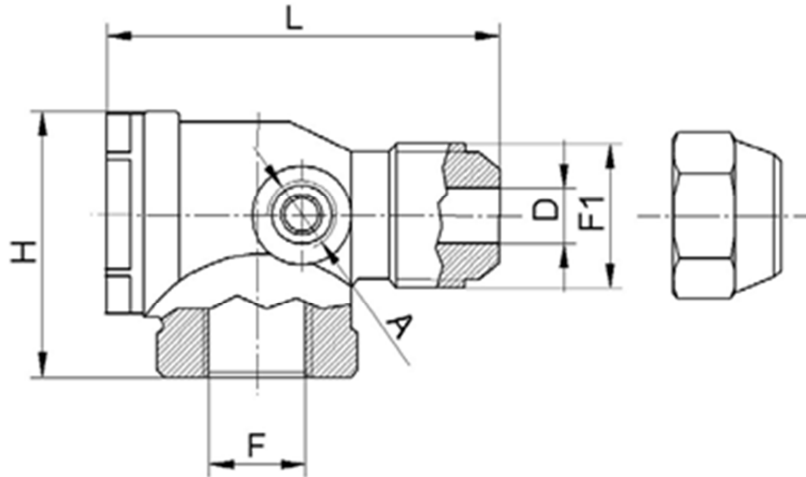


DATENBLATT / TECHNICAL DATA SHEET RV3

Eck-Rückschlagventil / Non-Return Valve angle type

Erstellt / made : 27.07.2018



Code	F	F1	A	D	H	L
	3/8"	3/8"	1/8"	9	38	51
	3/8"	1/2"	1/8"	11	43	57
	1/2"	3/8"	1/8"	9	40	53
	1/2"	1/2"	1/8"	11	43	57
	3/4"	1/2"	1/8"	11	48	58
	3/4"	3/4"	1/8"	16	58	74
	3/4"	3/4"	1/4"	16	58	74
	1"	1"	1/8"	20	68	89
	1"	1"	1/4"	20	68	89

Werkstoff / Material	
Ventilkörper / Valve body	EN 12164:98 CW 614N
Dichtung / Gasket	NBR o VITON
Verschluss / Cap	EN 12164:98 CW 614N
O-Ring / O-ring	NBR o VITON
Feder / Spring	EN 10270-3

Technische Daten / Technical data	
Arbeitsdruck / Working pressure	Max. 16 bar
Temperatur / Working temperature NBR	-10° C + 80° C
Temperatur / Working temperature VITON	-10° C + 200° C