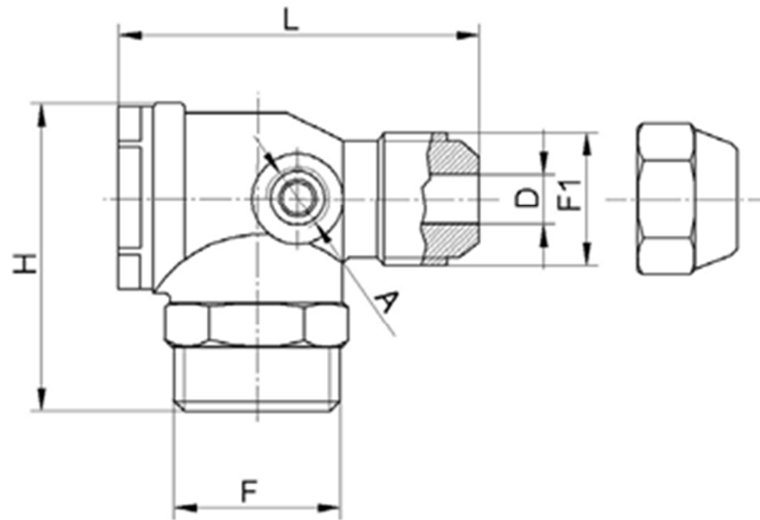


DATENBLATT / TECHNICAL DATA SHEET RV4

Eck-Rückschlagventil / Non-Return Valve angle type

Erstellt / made : 27.07.2018

Seite 1



Code	F	F1	A	D	H	L
	1/4"	3/8"	1/8"	6	43	42
	3/8"	3/8"	1/8"	9	41	47
	1/2"	3/8"	1/8"	9	44	51
	1/2"	3/8"	1/8" *	9	44	51
	1/2"	1/2"	1/8"	11	48	56
	1/2"	1/2"	1/8" *	11	48	56
	3/4"	1/2"	1/8"	11	48	57
	3/4"	3/4"	1/8"	16	61	75
	3/4"	3/4"	1/4"	16	61	75
	1"	3/4"	1/8"	16	58	74
	1"	3/4"	1/4"	16	58	74

Werkstoff / Material	
Ventilkörper / Valve body	EN 12164:98 CW 614N
Dichtung / Gasket	NBR o VITON
Verschluss / Cap	EN 12164:98 CW 614N
O-Ring / O-ring	NBR o VITON
Feder / Spring	EN 10270-3

Technische Daten / Technical data	
Arbeitsdruck / Working pressure	Max. 16 bar
Temperatur / Working temperature NBR	-10°C + 80° C
Temperatur / Working temperature VITON	-10°C + 200° C